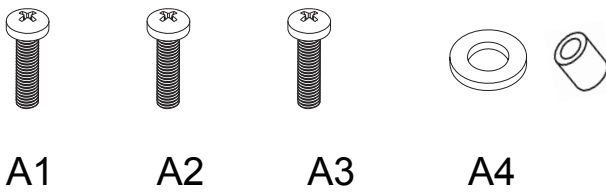
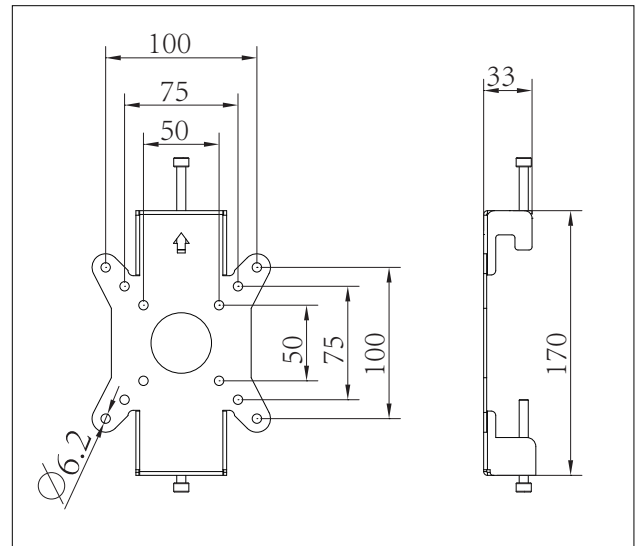


COMPONENT CHECKLIST

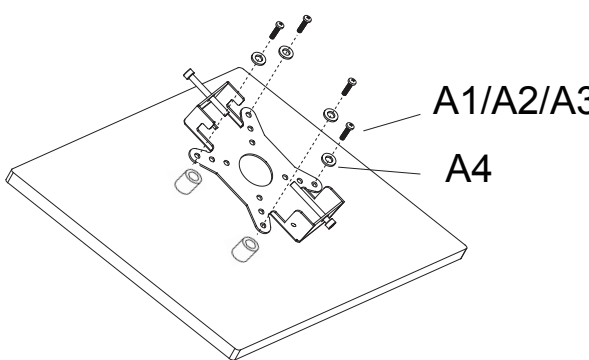
Item	Name	QTY
A	Monitor Flex Pro 75/100	1
A1	M4x12	4
A2	M4x16	4
A3	M5x16	4
A4	M5 Washer 8x5.5x5 Bushings	4

PRODUCT DIMENSIONS

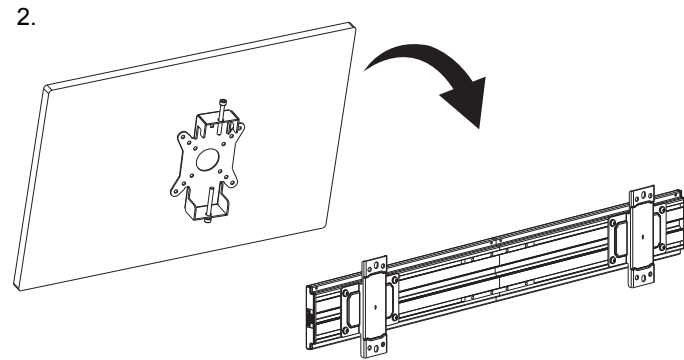


INSTALLATION INSTRUCTION

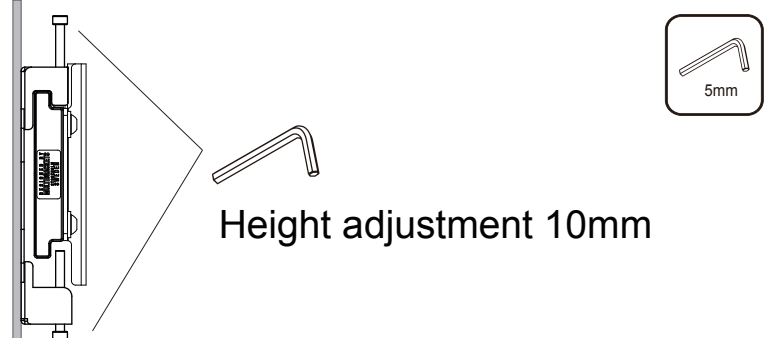
1.



2.



3.



5mm

Height adjustment 10mm