

Product End-of-Life Instructions

Product Range: Replacement Battery Cartridges (RBCs)

Marketing Model/Name: (List of multiple models if applicable)

APCRBC106, APCRBC107, APCRBC108, APCRBC109, APCRBC109J, APCRBC110, APCRBC111J, APCRBC113, APCRBC114, APCRBC115, APCRBC116, APCRBC120, APCRBC121, APCRBC122J, APCRBC123, APCRBC123J, APCRBC124, APCRBC124J, APCRBC130, APCRBC131, RBC1, RBC10, RBC11, RBC11J, RBC12, RBC12J, RBC12J-FJ, RBC13, RBC14, RBC17, RBC17J, RBC18, RBC2, RBC20J, RBC21, RBC22, RBC23, RBC24, RBC24J, RBC24J-FJ, RBC24J-NM, RBC25, RBC26, RBC28, RBC29, RBC2J, RBC3, RBC30, RBC31, RBC32, RBC32J, RBC33, RBC34, RBC34L, RBC35, RBC36, RBC38, RBC39, RBC4, RBC40, RBC45, RBC46, RBC47, RBC48, RBC48L, RBC48L-FJ, RBC49, RBC5, RBC50, RBC51, RBC52, RBC53, RBC55, RBC55J, RBC57, RBC57J, RBC59, RBC5J, RBC5J-FJ, RBC6, RBC60, RBC62, RBC63, RBC6L, RBC6L-NM, RBC7, RBC7L, RBC7L-FJ, RBC7L-NM, RBC8, RBC8J, RBC9

Purpose:

The product family must be disposed according to the legislation of the country. This document is intended for use by end of life recyclers or treatment facilities. It provides the basic information to assure an appropriate end of life treatment for the components and materials of the product.

Note :

This product range is in the scope of EU directive 2006/66/EC of 26 September 2006 (Battery Directive). This product is not in the scope of EU directive 2002/96/EC, Waste Electrical and Electronic Equipment (WEEE). However, this product range may be subject to the WEEE directive if the product is contained within another product, such as an uninterruptible power supply (UPS) that is subject to the WEEE directive.



Size in mm:

97 x 254 x 152

Weight in kg:

between 0.700 and 35.00 with batteries
between 0.005 and 6.25 without batteries

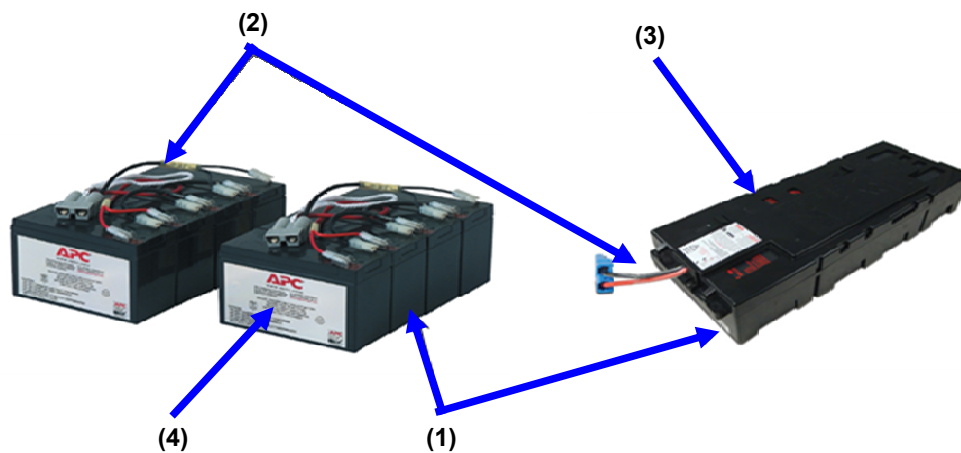
Operations recommended for the end of life treatment

There are several steps to process the products at the end of life so as to recover components, materials or energy : Reuse → Separation for special treatment → Other dismantling → Shredding.

The components of the products that optimize the recycling performances are listed, identified and located hereunder.

Disassembly Instructions:

1. Remove the RBC(s) from the product per the instructions provided. Be careful, the RBCs are heavy.
2. RBCs are recommended to be shipped to recyclers as whole units. The batteries within RBCs carry an electrical charge that represents a safety hazard that can result in severe injury. Only personnel with appropriate training should disassemble RBCs.
3. Disassemble the RBC housing and remove the batteries. Place housing into appropriate recycling waste stream (metal or plastic).
4. Shear wire harnesses from batteries and place into appropriate recycling waste stream.
5. Batteries should be shipped to an authorized battery recycler for further processing.



Replacement Battery Cartridge (RBC) product range consist of the following typical parts: (1) Sealed lead-acid Batteries, (2) Wire Harnesses, (3) plastic or metal cartridge parts, (4) labels, and (5) miscellaneous hardware.

Recommendation	Number on drawing	Components	Weight (Kg)	Comment
Special treatment	(1)	Sealed Lead acid Batteries	0.675 – 4.50 each	<p>Use authorized battery recycler</p> <p>See: Material Safety Data Sheet Available at www.APC.com</p> <p>Caution: Batteries may contain an electrical charge – avoid creating short across terminals.</p> <p>Caution: Cracked or bloated batteries may be hazardous and represent a lead(Pb) exposure.</p>
	(2)	Wire Harnesses	0.05 – 0.15 each	Brominated flame retarded (BFR) nylon moulded connectors.

For more information please go to: <http://www.apc.com/recycle/>

Schneider Electric Industries SAS

35, rue Joseph Monier
CS 30323
F- 92506 Rueil Malmaison Cedex
RCS Nanterre 954 503 439
Capital social 896 313 776 €

www.schneider-electric.com

APC by Schneider Electric

132 Fairgrounds Road
West Kingston, RI 02892
Phone 800-788-2208

www.APC.com

APC by Schneider Electric has achieved compliance status and the accuracy of data in this document is based on our best knowledge as of the date of its publication.

ENVEOLI110701EN

Publication date : 11 November 2011